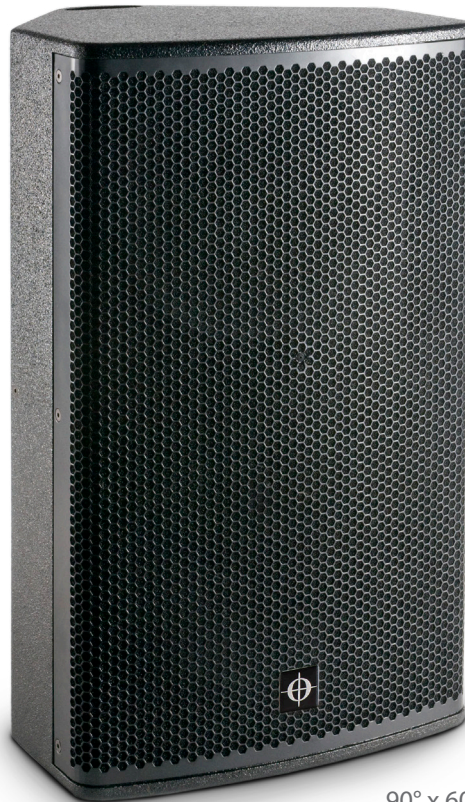


# G515-Pro Data Sheet

## G515-Pro

2-way Compact  
Multidesign System



CODA's G-Series boxes are made with versatility in mind: full range systems that incorporate top end drivers; as a result, they're suitable for a wide range of applications.

The G515-Pro boasts a power handling of 600 W and has a 15" neodymium cone driver, with a 1" HF driver on a

90° x 60° rotatable elliptical

waveguide. These are no ordinary compression

drivers, of course: the HF drivers contain CODA's unique CuCup technology, which dramatically reduces intermodulation distortion, and in turn, deliver the most pristine and transparent audio.

It's also simple to mount these boxes on walls or ceilings thanks to its M6 flying points for optional U-brackets, making them a no-brainer for any touring or install application: they're a great choice for bands, stage monitoring, DJs, clubs, and installations.

Low end reinforcement comes courtesy of the compact G15 and G18 subs, with 15" and 18" neodymium ultra low distortion woofers respectively. Both are high output, packing a serious punch at 1250 W – the perfect partner to the two tops.

G515-Pro has been designed to work exclusively with CODA Audio LINUS Loudspeaker Management Amplifiers as an integrated solution for DSP, amplification, network remote control, optimal performance, protection, as well as extensive possibilities for system tuning and monitoring.

### G515-Pro Features

- ⊕ 2-way compact versatile full range system
- ⊕ Frequency range: 50 Hz - 21 kHz (-6 dB)
- ⊕ High power handling of 600 W
- ⊕ 1" patented compression driver
- ⊕ 15" neodymium driver for light weight
- ⊕ 90° x 60° rotatable elliptical waveguide
- ⊕ Designed for both PA and stage monitoring
- ⊕ Multidesign enclosure with monitor function
- ⊕ Available as left and right version
- ⊕ Ball impact resistant (DIN 18032-3)
- ⊕ System integration with LINUS Loudspeaker Management Amplifiers

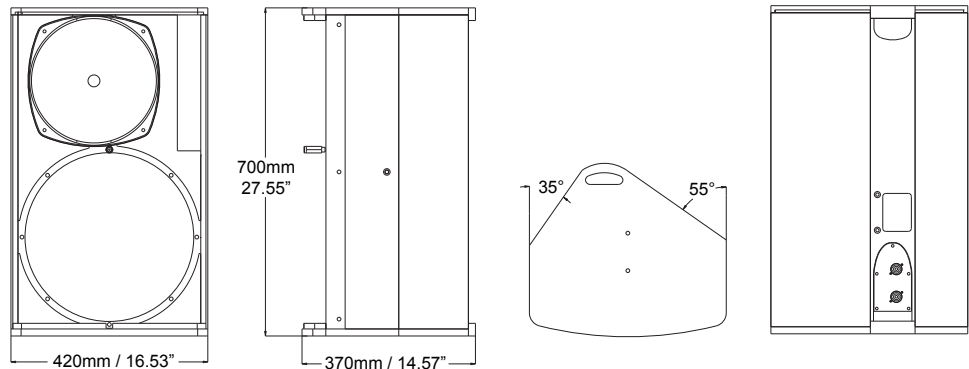


# G515-Pro Data Sheet



Product type:	2-way compact multidesign system
Frequency response:	50 Hz - 21 kHz (-6 dB)
Power handling AES / peak (passive):	600 W / 2400 W
Sensitivity 1W / 1m:	98 dB
Max. peak SPL*:	132 dB
Amplification, cabinets per amplifier (Optimum / Maximum):	LINUS10-C: 8/16 LINUS12C: 8/16 LINUS14D: 8/16
Dispersion horizontal:	90°
Dispersion vertical:	60°
Components Low frequency:	15" neodymium woofer, 3" (77 mm) VC, 600 W (AES)
Components Mid/High frequency:	1" neodymium compression driver, 1.75" (44.4 mm) VC, 80 W (AES)
Crossover point:	1200 Hz passive
Input connectors:	2x Neutrik™ NL4MP
Nominal impedance LF / MF+HF:	8 Ω (1+/1-)
Enclosure material:	Birch plywood
Finish:	Polyurea coating
Suspension:	M6 and M8 threaded points for use with optional U-bracket
IP rating options (IEC 60529):	Standard IP54
Weatherproof protection options:	Standard IP55: IP55 (direct cable) MG1 (Marine Grade 1): IP55
Dimensions (WxHxD):	420 x 700 x 370 mm / 16.54 x 27.56 x 14.57"
Net weight:	17.5 kg / 38.58 lbs

\*Measured with pink noise 6 dB crest factor. Half-space loading.



## Other G-Series Related Products



### G15-Sub

Compact Multipurpose  
15" Sub-Extension

### CODA AUDIO GmbH

Boulevard der EU 6, 30539 Hannover, Expo Park, Germany  
E-Mail: [contact@codaaudio.com](mailto:contact@codaaudio.com) Website: [www.codaaudio.com](http://www.codaaudio.com)



### G18-Sub

Compact Multipurpose 18"  
Sub-Extension



### LINUS12C

4-Channel DSP Amplifier with  
Loudspeaker Management

**CODA**  
CODA AUDIO

