

D20 Data Sheet

D20

Full Range Passive 3-way System for Installations



The D20 is a passive 3-way compact system, designed for small to medium installation applications where extended low frequencies, superior dispersion control and high fidelity sound are required. The cabinet contains an extremely long excursion 12" woofer and an 8"/1.75" coaxial driver.

The advanced design aligns the acoustical centres of the transducers to produce a single point source. This unique loudspeaker technology provides a coherent wave front without hot spots. Precise directivity ensures uniform coverage with perfect time alignment between the components.

D20 Features

- ⊕ 3-way coherent point source technology
- ⊕ True full range performance: 35 Hz – 21 kHz (-6 dB)
- ⊕ High power handling of 1000 W (AES)
- ⊕ 8"/1.75" coaxial driver and 12" extremely high excursion cone driver
- ⊕
- ⊕ Symmetrical coverage of 90°
- ⊕ Superior sound quality
- ⊕ Optimised for near-field applications
- ⊕ High output before feedback
- ⊕ System integration with Coda DSP amplifiers
- ⊕ Integrated M6 flying points
- ⊕ Ball impact resistant (DIN 18032-3)
- ⊕ System integration with LINUS Loudspeaker Management Amplifiers

The cabinet contains an extremely long excursion 12" ultra low distortion cone driver covering the range 35 Hz – 400 Hz. The 3" voice coil is 32 mm high, ensuring linear excursion of 22 mm / pp at consistent magnetic force. Three aluminium shorting rings reduce inter-modulation distortion; minimise induction variation while reducing thermal compression. This design reduces dramatically the distortion of a typical subwoofer at longer excursion levels, and improves the overall sound quality providing deep and punchy bass.

The low and mid range are overlapped in the range 200 – 400 Hz while mid and high range are overlapped in the 1 – 1.8 kHz range. This increases the maximal SPL of the system providing improved directivity control.

The D20 is designed to work exclusively with dedicated CODA Audio DSP amplifiers as an integrated solution for DSP control, amplification, network remote control and diagnostic. The integrated solution ensures optimal performance and protection.

Additional colours and weather protection options are available on request.

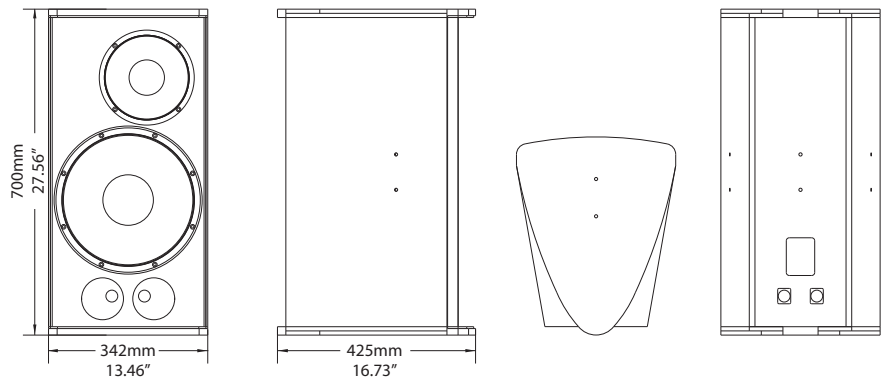


D20 Data Sheet



Product type:	Full range passive 3-way system for installations
Frequency response:	35 Hz – 21 kHz (-6 dB)
Power handling AES:	1000 W
Peak power (passive):	4000 W
Sensitivity:	97 dB
Max. peak SPL:*	133 dB
Dispersion:	90° conical
Components Low frequency:	12" woofer, 1000 W (AES)
Components Mid/High frequency:	8"/1.75" coaxial driver, Mid: 2" (51 mm) VC, 180 W (AES) High: 1.75" (44.4 mm) VC, 80 W (AES)
Crossover point:	300 Hz, 1.3 kHz passive
Input connectors:	2x Neutrik™ NL4MP
Nominal impedance LF / MF+HF:	4 Ω (+1/-1)
Enclosure material:	Birch plywood
Finish:	Polyurea coating
Suspension:	10x M6 threaded points
IP rating options (IEC 60529):	Standard IP54
Weatherproof protection options:	Standard IP55: IP55 (direct cable) MG1 (Marine Grade 1): IP55
Dimensions (WxHxD):	342 x 700 x 425 mm / 13.46 x 27.56 x 16.73"
Net weight:	26 kg / 57.32 lbs

*Measured with pink noise 6 dB crest factor. Half-space loading.



D-Series Related Products



G18-Sub

Extended Low Frequency
Subwoofer

CODA AUDIO GmbH

Boulevard der EU 6, 30539 Hannover, Expo Park, Germany

E-Mail: contact@codaaudio.com Website: www.codaaudio.com



U15-Sub

Compact Multipurpose
15" Subwoofer



LINUS12C

4-Channel DSP Amplifier with
Loudspeaker Management

CODA
CODA AUDIO

